

# Product data sheet

Specifications



## General purpose relay, SE Relays, 788R, DPDT, 10A, 12 VDC, Quick terminal, clear cover with LED, lock push button

788XBXR4L-12D

**Product availability: Stock - Normally stocked in distribution facility**

### Main

|                     |                                 |
|---------------------|---------------------------------|
| Product Type        | Plug-in electromechanical relay |
| Rated Line Current  | 10 A                            |
| Switch Function     | DPDT                            |
| Contact Composition | 2 NC + 2 NO                     |

### Complementary

|                                |   |
|--------------------------------|---|
| Rated Operational Current      | 10 A at 277 V AC (on resistive load) conforming to UL<br>10 A at 30 V DC (on resistive load) conforming to UL<br>10 A at 250 V AC-1 (1 NO) (on resistive load) conforming to IEC<br>10 A at 28 V DC-1 (1 NO) (on resistive load) conforming to IEC<br>5 A at 250 V AC-1 (1 NC) (on resistive load) conforming to IEC<br>5 A at 28 V DC-1 (1 NC) (on resistive load) conforming to IEC |
| [Ue] rated operational voltage | 12 V DC   |
| Maximum Switching Voltage      | 300 V UL<br>300 V CSA<br>250 V IEC  |
| Control Type                   | Lockable test button  |
| Mounting Support               | plug-in   |
| Local Signalling               | LED Cover<br>Flag   |
| Contacts Material              | Silver alloy, gold flashed  |
| Rated Power in HP              | 0.33 HP 120 V AC<br>1 HP 277 V AC   |
| Connections Terminals          | blade terminal  |
| Control Circuit Voltage Limits | 0.8...1.1 Un DC   |
| Resistance                     | 120 Ohm   |
| Average Coil Consumption       | 1.4 W   |
| Vibration Resistance           | +/- 1 mm 10...35 Hz in operation<br>3 gn 35...150 Hz in operation   |
| Operating Time                 | 20 ms   |
| Drop-out Voltage Threshold     | >= 0.15 Uc AC<br>>= 0.1 Uc DC   |
| Minimum Switching Current      | 10 mA 17 V DC   |
| Product Weight                 | 2.9 oz (83 g)   |
| Height                         | 2.09 in (53 mm)   |
| Width                          | 1.4 in (35 mm)  |

Price is "List Price" and may be subject to a trade discount – check with your local distributor or retailer for actual price.

|       |                  |
|-------|------------------|
| Depth | 1.4 in (35.5 mm) |
|-------|------------------|

## Environment

|                                       |   |
|---------------------------------------|---|
| Shock Resistance                      | 10 gn   |
| Ambient Air Temperature for Operation | -40...131 °F (-40...55 °C)  |
| Ambient Air Temperature for Storage   | -40...185 °F (-40...85 °C)  |
| Product Certifications                | UL<br>CSA<br>CE<br>EAC  |
| Dielectric Strength                   | 2500 V AC between coil and contact<br>2000 V AC between poles<br>1500 V AC between contacts |
| Electrical Durability                 | 100000 cycles   |
| Mechanical Durability                 | 5000000 cycles  |
| IP Degree of Protection               | IP40  |

## Ordering and shipping details

|                   |               |
|-------------------|---------------|
| Category          | US10CP221127  |
| Discount Schedule | 0CP2          |
| GTIN              | 3606480779862 |
| Returnability     | No            |
| Country of origin | CN            |

## Packing Units

|                              |                     |
|------------------------------|---------------------|
| Unit Type of Package 1       | PCE                 |
| Number of Units in Package 1 | 1                   |
| Package 1 Height             | 1.40 in (3.556 cm)  |
| Package 1 Width              | 1.40 in (3.556 cm)  |
| Package 1 Length             | 2.40 in (6.096 cm)  |
| Package 1 Weight             | 2.880 oz (81.647 g) |

## Environmental Data

Schneider Electric aims to achieve Net Zero status by 2050 through supply chain partnerships, lower impact materials, and circularity via our ongoing “Use Better, Use Longer, Use Again” campaign to extend product lifetimes and recyclability.

[Environmental Data explained >](#)

[How we assess product sustainability >](#)

### Environmental footprint

[Environmental Disclosure](#)

[Product Environmental Profile](#)

## Use Better

### Materials and Substances

Packaging without single use plastic

Yes

[EU RoHS Directive](#)

Pro-active compliance (Product out of EU RoHS legal scope)

REACH Regulation

[REACH Declaration](#)

California proposition 65

**WARNING:** This product can expose you to chemicals including: Nickel compounds, which is known to the State of California to cause cancer, and Di-isodecyl phthalate (DIDP), which is known to the State of California to cause birth defects or other reproductive harm. For more information go to [www.P65Warnings.ca.gov](http://www.P65Warnings.ca.gov)

## Use Again

### Repack and remanufacture


Circularity Profile

[End of Life Information](#)

Take-back

No

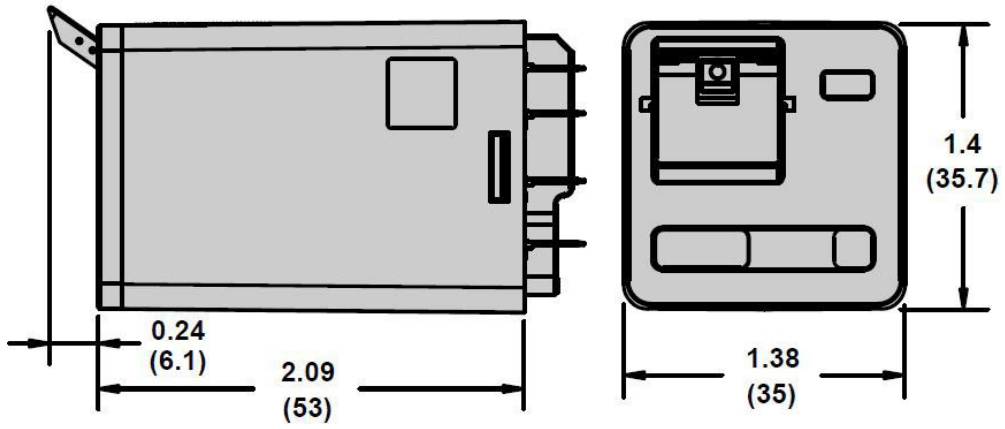
WEEE

 The product must be disposed on European Union markets following specific waste collection and never end up in rubbish bins.

Dimensions Drawings

Approximate Dimensions

---



Connections and Schema

Connections and Wiring Diagrams

---

